

Laser Measurement Technology
NAV / NAV200 / Indoor / Mid-Range

NAV200-1132



Model Name > [NAV200-1132](#)
Part No. > [1023666](#)



At a glance

- Simple integration via standard interface
- Accurate measuring-in of reflector positions possible
- Navigation with only 3 reflectors
- Immune to spurious reflections
- Precise position information (X, Y, alpha)
- Output data for remote diagnosis

Your benefits

- Integrated measurement data evaluation reduces the computing effort in vehicle computers
- Line guidance possible without reflector marks using the NAV300
- The positioning system allows maximum freedom in the design of the vehicle concept
- Economical even for small and medium-sized vehicles
- Simple alteration and teach-in of routes possible



Features

Type:	Mid-Range
Field of application:	Indoor
Light source:	Infrared (855 nm)
Laser class:	1, Eye-safe
Field of view:	360 °
Scanning frequency:	8 Hz
Operating range:	1.2 m ... 28.5 m
Angular resolution:	0.1 °
Angle error:	0.1 °

Interfaces

Serial (RS-232):	✓
Data transmission rate (Serial (RS-232)):	19,200 Baud
Ethernet:	-
CAN-Bus:	-
PROFIBUS:	-
PROFINET:	-
DeviceNet:	-
Optical indicators:	4 LED (Status displaysStatus display)

Mechanics/electronics

Electrical connection:	1 Flange plug, round 8 pin for DC 24 V power supply, Flange plug, round 14 pin for RS-232 data interface
Operating voltage:	$\geq 24 \text{ V DC} \pm 25 \%$
Power consumption:	24 W
Housing color:	Light blue (RAL 5012), Black
Enclosure rating:	IP 65 (EN 60529)
Protection class:	1
Weight:	3.3 kg
Dimensions:	176 mm x 178 mm x 115 mm (without plug)
Housing:	Aluminium die-cast

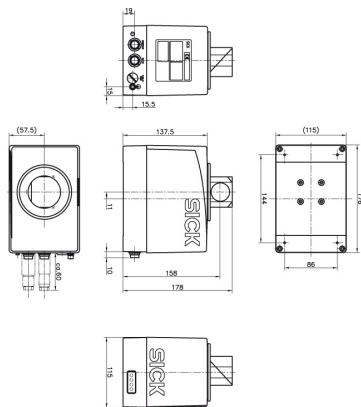
Ambient data

Electromagnetic compatibility (EMC):	EN 61000-6-2/EN 61000-6-4
Vibration resistance:	IEC 68-2-6
Shock resistance:	IEC 68-2-29
Ambient operating temperature:	0 °C ... 50 °C
Storage temperature:	-20 °C ... 70 °C
Permissible relative humidity:	90 %, non-condensing
Reflector marks:	Stripes: Width > 100 mm; height > 500 mm, Cylindrical: Diameter > 80 mm; height > 500 mm

Performance

Reflector memory:	Stripes: Width > 100 mm; height > 500 mm, Cylindrical: Diameter > 80 mm; height > 500 mm
Positioning accuracy:	$\pm 4 \text{ mm}$

Dimensional drawing



Australia

Phone +61 3 9497 4100
1800 33 48 02 – tollfree
E-Mail sales@sick.com.au

Belgium/Luxembourg

Phone +32 (0)2 466 55 66
E-Mail info@sick.be

Brasil

Phone +55 11 3215-4900
E-Mail sac@sick.com.br

Ceská Republika

Phone +420 2 57 91 18 50
E-Mail sick@sick.cz

China

Phone +852-2763 6966
E-Mail ghk@sick.com.hk

Danmark

Phone +45 45 82 64 00
E-Mail sick@sick.dk

Deutschland

Phone +49 211 5301-301
E-Mail kundenservice@sick.de

España

Phone +34 93 480 31 00
E-Mail info@sick.es

France

Phone +33 1 64 62 35 00
E-Mail info@sick.fr

Great Britain

Phone +44 (0)1727 831121
E-Mail info@sick.co.uk

India

Phone +91-22-4033 8333
E-Mail info@sick-india.com

Israel

Phone +972-4-999-0590
E-Mail info@sick-sensors.com

Italia

Phone +39 02 27 43 41
E-Mail info@sick.it

Japan

Phone +81 (0)3 3358 1341
E-Mail support@sick.jp

Nederlands

Phone +31 (0)30 229 25 44
E-Mail info@sick.nl

Norge

Phone +47 67 81 50 00
E-Mail austefjord@sick.no

Österreich

Phone +43 (0)22 36 62 28 8-0
E-Mail office@sick.at

Polska

Phone +48 22 837 40 50
E-Mail info@sick.pl

Republic of Korea

Phone +82-2 786 6321/4
E-Mail info@sickkorea.net

Republika Slovenija

Phone +386 (0)1-47 69 990
E-Mail office@sick.si

România

Phone +40 356 171 120
E-Mail office@sick.ro

Russia

Phone +7 495 775 05 34
E-Mail info@sick-automation.ru

Schweiz

Phone +41 41 619 29 39
E-Mail contact@sick.ch

Singapore

Phone +65 6744 3732
E-Mail admin@sicksgp.com.sg

Suomi

Phone +358-9-25 15 800
E-Mail sick@sick.fi

Sverige

Phone +46 10 110 10 00
E-Mail info@sick.se

Taiwan

Phone +886 2 2375-6288
E-Mail sales@sick.com.tw

Türkiye

Phone +90 216 587 74 00
E-Mail info@sick.com.tr

United Arab Emirates

Phone +971 4 8865 878
E-Mail info@sick.ae

USA/Canada/México

Phone +1(952) 941-6780
1 800-325-7425 – tollfree
E-Mail info@sickusa.com

More representatives and agencies
in all major industrial nations at
www.sick.com